



BACKED BY
Roadranger
SUPPORT

Subject: Gen2 Electronic Clutch Actuator (ECA) Interference

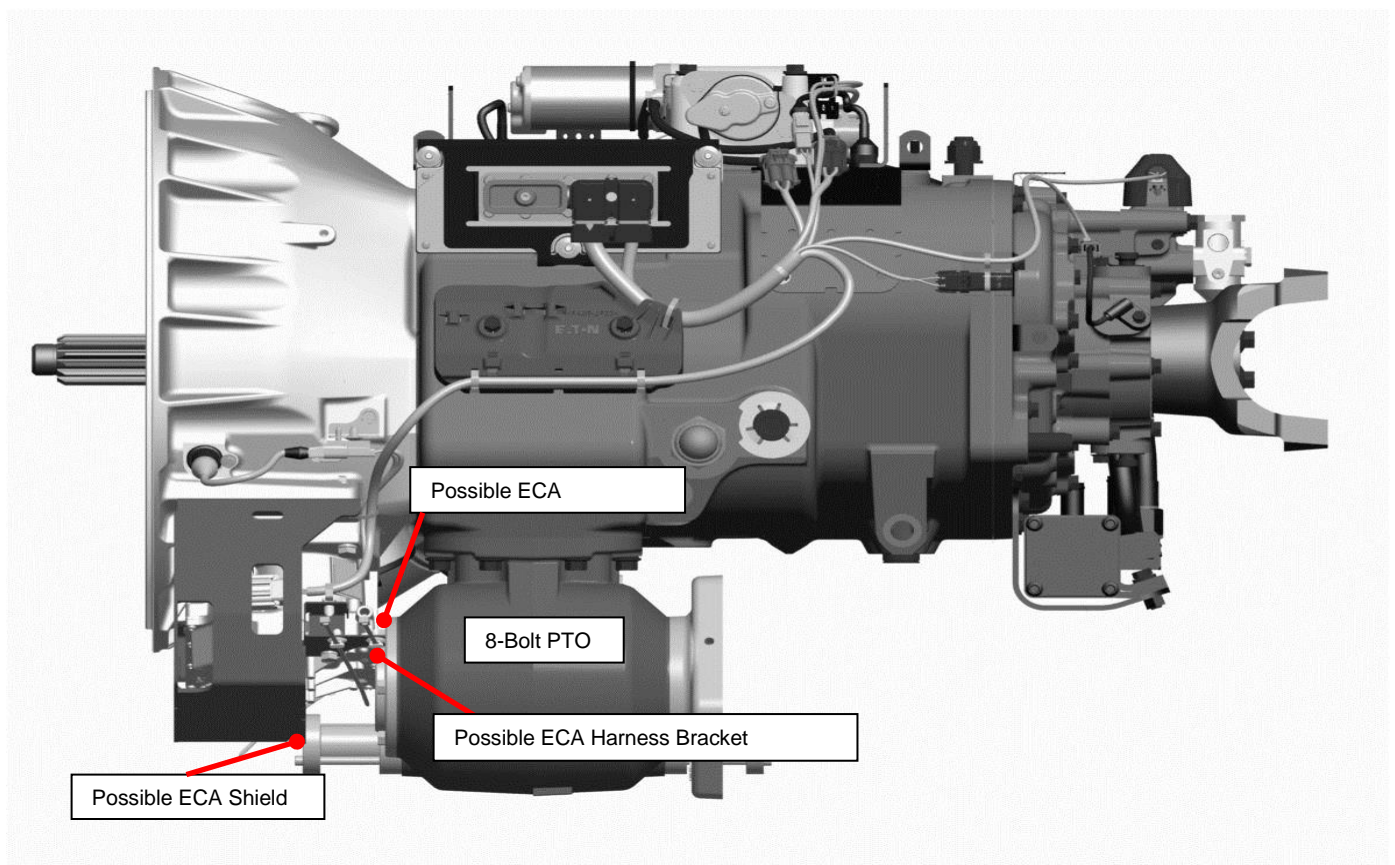
Document Number: TAIB0862

Date: February 22, 2016

Updated: March 14, 2016

Issue Description:

When replacing a Gen1 ECA with a Gen2 ECA, the Gen2 ECA can interfere with specific 8-bolt countershaft PTO models. Interference varies, and depending on the PTO model the interference could be with the ECA, ECA Shield or the ECA Harness Bracket.



Affected Models/Population: UltraShift *PLUS*, Fuller Advantage Automated with Gen2 ECA and specific 8-bolt PTO installations.

Specific Known PTO Model Installations with Gen2 ECA Interferences:

Note: Not all PTO manufactures have been fully evaluated with the Gen2 ECA.

PTO Mfg	PTO Model
Chelsea	238X-3XBD
Chelsea	823X-A3XS
Chelsea	885X-A3XS
Chelsea	885X-A5XS

PTO Mfg	PTO Model
Muncie	828S-Q1XX
Muncie	828S-D1XX

Field Strategy: Prior to ordering the PTO for a new installation with a Gen2 ECA, contact Muncie or Chelsea applications to confirm available / suitable PTO model.

When replacing a Gen1 ECA in combination with the specific PTO models listed contact Eaton at (800) 826-4357 to order a K-4310 (Gen1 ECA) to replace the failed Gen1 ECA.

Warranty Information:

Warranty Parts:

- K-4310

Warranty Labor:

- Per OEM SRT

Warranty Coverage:

- Standard Warranty Applies

The material contained in this bulletin is product improvement information. Eaton is not committed to, or liable for, canvassing existing products. FSUD: 2016-FSUD-2324

Eaton Truck - Aftermarket Division
Eaton Fuller Transmission

Roadranger®

Notice No. **R2016-01 (Revised)**

Date: **3/9/2016**

Service Parts CHANGE Notice

Current Part	New Part	Description	List Price	Core Amt	Multi-Pack Qty	Lead-time	Prod Line	Default Ship	Direct Ship Only	Note	Models Affected	Reason for Change	Country of Origin	Interchangeable? Yes or No	Current Part to be Obsoleted? Yes or No	Change Effective
K-3936RX	K-4252	GEN 2 ECA KIT, HEAVY (HARNESSES / SHIELD)	1,907.00	325.00		30	HV	Indianapolis, IN		A	Where Used	Product Improvement		SEE NOTE A	YES	2/22/2016
	K-4310	ECA, GEN 1 (FOR USE W/PTO INTERFERENCE)	1,563.00			30	HV	Indianapolis, IN		B	Where Used	Release for use on units that have a PTO interference issue.		SEE NOTE B	N/A	3/9/2016

NOTE: A K-3936RX is replaced by K-4252 with the exception of some units with a PTO interference issue. Reference Service Bulletin TAIB-0862, and/or contact the Eaton Call Center 1-800-827-4357. **K-4252 will be available for TRUCK DOWN orders only (Quantity limited to 15 or fewer).**

NOTE: B K-4310 is being released to service units that have a PTO interference issue. Reference Service Bulletin TAIB-0862, and/or contact the Eaton Call Center 1-800-827-4357. **K-4310 will only be available for VERIFIED PTO INTERFERENCE ISSUES and will be TRUCK DOWN orders only (Quantity of 1).**