

POWER DIVIDER GEAR CHANGES – NEW SPICER® SERVICE KIT RELEASE

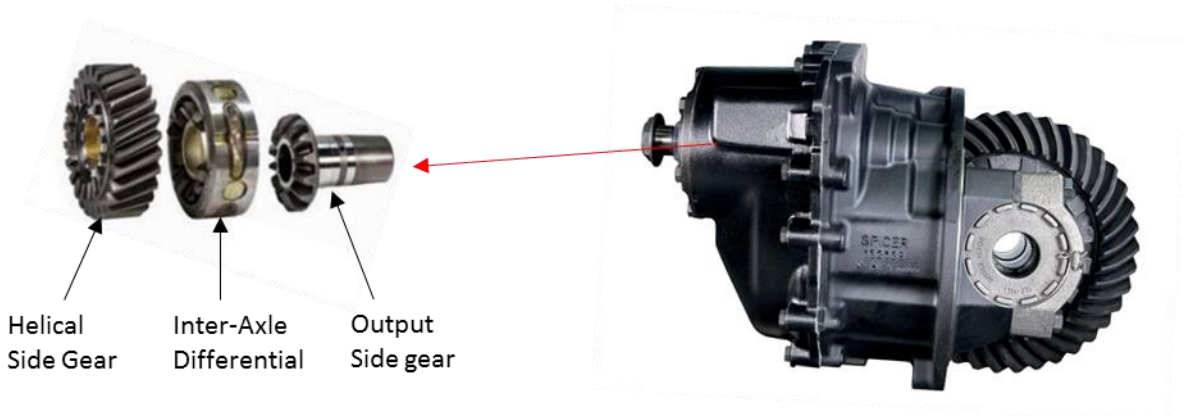
PART NUMBER INFORMATION

DATE: May 17, 2018

TO: All Dana Aftermarket Group Spicer® Heavy Axle Customers

Affected Models: Tandems - DS404, DSP40, DSH44, DST40, D155, D170 & D190

In March 2018, Dana changed the design of our power divider gearing in all current production tandem drive axles. Changes were made to the beveled teeth of the helical side gear, inter-axle differential and output side gear to increase durability.



Because of this gear design change, Spicer® power divider gears made before March 13, 2018 will **NOT** be interchangeable with the newly design gears. When performing a service repair, it's important to identify when the drive axle was manufactured to insure you don't mismatch the two different gearing designs. The carrier serial number can be used to determine which gearing is installed. Spicer carriers with serial numbers numerically higher than HN05303133 were built after March 13, 2018. Use the chart on the following page to identify the proper service parts to complete your repair.

Important Note: If you need to replace one of the three power divider gears on carrier assemblies manufactured before March 13, 2018 you must replace all three gears with the new design. Mismatching gear designs will cause premature failures that will not be covered under Dana warranty. Because of this, new Spicer® service kits of the 3 parts are released and presented on page four of this bulletin.

HD AXLE INFO



The information below will help to determine which generation of gearing is in the PDU that you may be servicing.

Part Number Change – Helical Side Gear



Before March 2018 – 6 Digit Part Number



After March 2018 – 10 Million Part Number

Part Number Change – Output Side Gear



Before March 2018 – 6 Digit Part Number



After March 2018 – 10 Million Part Number

Tooth Profile Change – Inter-Axle Differential Side Pinion Gears



Before March 2018 – Square Tooth



After March 2018 – Round Tooth

HD AXLE INFO



Individual Parts

Spicer® Models	Old Gear Design Part Number	New Gear Design Part Number	Part Description
DSP40/DS404	130907	1000528	Helical Side Gear & Bushing Assy
DSP40/DS404	134192	10085729	IAD Assy
DSP40/DS404	127645	10026797	Output Side Gear - Before 2008
DSP40/DS404	132443	10049643	Output Side Gear - After 2008 - Non-Pump
DSP40P/ DS404P	132061	10026796	Output Side Gear - After 2008 – Pump
D170/D190	131345	10011380	Helical Side Gear Assy
D170/D190	139965	10094015	IAD Assy
D170/D190	131467	10026795	Output Side Gear - Non-Pump
D170P/D190P	131466	10005175	Output Side Gear - Pump
D170DP/D190DP	135015	10094013	IAD Assy – (Severe Duty)
D155	134692	10019008	Helical Side Gear Assy
D155	139965	10094015	IAD Assy
D155P	134770	10038686	Output Side Gear - Pump
D155	134768	10038655	Output Side Gear - Non-Pump

Service Kits

Spicer® Models	Old Gear Design Kit Part Number	New Gear Design Kit Part Number
DSP40/DS404 – Non Pump	504404-5	504388
DSP40P/DS404P - Pump	N/A	504389
DSP40/DS404 - (Before June 2008)	504404-1	504394
D170/D190 – Non Pump	N/A	504395
D170P - Pump	N/A	504396
D170DP/D190/D190D - (Severe Duty)	N/A	504397
D155	N/A	504511
D155P	N/A	504512

All kits ONLY contain a helical side gear & bushings, inter-axle differential and output side gear
The detailed contents of the kits are provided in the charts on the next page.

HD AXLE INFO



New Kit Chart - D404 Family

Spicer PDU Conversion Parts Kit				
Spicer Kit Part-No		504388	504389	504394
Part Description	Qty	All DSP40/DS404 (After June 2008) NON-PUMP	All DSP40P/DS404P (After June 2008) PUMP MODEL	DSP40/DS404 (Before June 2008)
Inter-Axle Diff Assy	1	10085729	10085729	10085729
Helical Gear & Bushing Assy	1	10000528	10000528	10000528
Output Side Gear	1	10049643	10026796	10026797

New Kit Chart - D170, 190 Family

Spicer PDU Conversion Parts Kit				
Spicer Kit Part-No		504395	504396	504397
Part Description	Qty	D170 D170D NON-PUMP	D170P PUMP MODEL	D170DP, D190, D190D (SEVERE DUTY)
Inter-Axle Diff Assy	1	10094015	10094015	10094013
Helical Gear & Bushing Assy	1	10011380	10011380	10011380
Output Side Gear	1	10026795	10005175	10005175

New Kit Chart - D155 Family

Spicer PDU Conversion Parts Kit			
Spicer Kit Part-No		504511	504512
Part Description	Qty	All D155 NON-PUMP	All D155P PUMP MODEL
Inter-Axle Diff Assy	1	10094015	10094015
Helical Gear & Bushing Assy	1	10019008	10019008
Output Side Gear	1	10038655	10038686

If you need additional information, please contact your Dana Aftermarket representative.

Chris Boesel
Sr. Product Manager
Spicer® Heavy Axle Products

HD AXLE INFO