



HAXL-PNI-096R1

POWER DIVIDER GEAR CHANGES – NEW SPICER® SERVICE KIT RELEASE

PART NUMBER INFORMATION

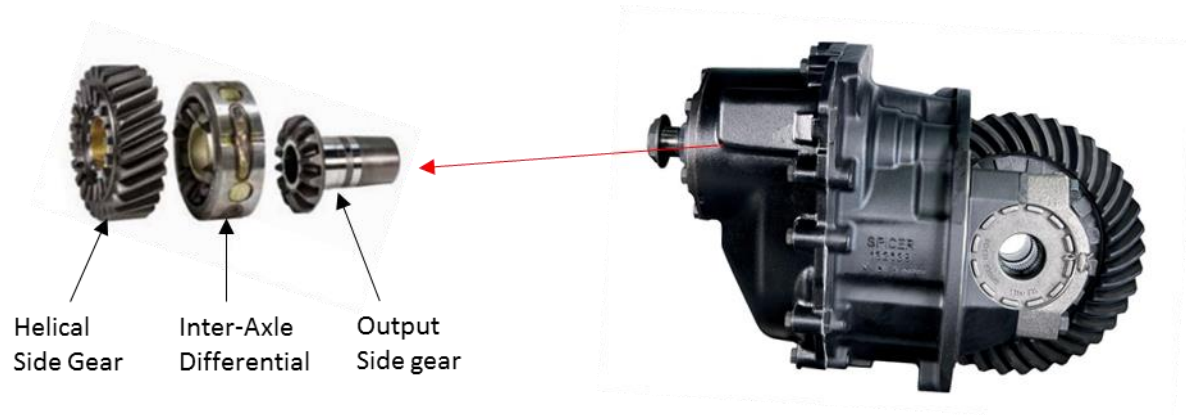
DATE: April 17th, 2019

TO: All Dana Aftermarket Group Spicer® Heavy Axle Customers

Affected Models: Tandems - DS404, DSP40, DSH44, DST40, D155, D156, D170 & D190, **D590****

****Please note, the D590 model was released into production on November 13th, 2018. Spicer carriers with serial numbers numerically higher than HN07642231 were built after November 13, 2018. Use the charts on pages 3 and 4 to identify the proper service parts to complete your repair for the D590 model.**

In March 2018 for the models listed above excluding D590, Dana changed the design of our power divider gearing in all current production tandem drive axles. Changes were made to the beveled teeth of the helical side gear, inter-axle differential and output side gear to increase durability.



Because of this gear design change, Spicer® power divider gears made before March 13, 2018 will **NOT** be interchangeable with the newly design gears. When performing a service repair, it's important to identify when the drive axle was manufactured to insure you don't mismatch the two different gearing designs. The carrier serial number can be used to determine which gearing is installed. Spicer carriers with serial numbers numerically higher than HN05303133 were built after March 13, 2018. Use the chart on the following page to identify the proper service parts to complete your repair.

Important Note: If you need to replace one of the three power divider gears on carrier assemblies manufactured before March 13, 2018 you must replace all three gears with the new design. Mismatching gear designs will cause premature failures that will not be covered under Dana warranty. Because of this, new Spicer® service kits of the 3 parts are released and presented on page four of this bulletin.

HD AXLE INFO



The information below will help to determine which generation of gearing is in the PDU that you may be servicing.

Part Number Change – Helical Side Gear



Before March 2018 – 6 Digit Part Number
D590 Before November 2018



After March 2018 – 10 Million Part Number
D590 After November 13, 2018

Part Number Change – Output Side Gear



Before March 2018 – 6 Digit Part Number
D590 Before November 2018



After March 2018 – 10 Million Part Number
D590 After November 13, 2018

Tooth Profile Change – Inter-Axle Differential Side Pinion Gears



Before March 2018 – Square Tooth
D590 Before November 2018



After March 2018 – Round Tooth
D590 After November 13, 2018

HD AXLE INFO



Individual Parts

| Spicer® Models | Old Gear Design Part Number | New Gear Design Part Number | Part Description |
|----------------|-----------------------------|-----------------------------|---|
| DSP40/DS404 | 130907 | 1000528 | Helical Side Gear & Bushing Assy |
| DSP40/DS404 | 134192 | 10085729 | IAD Assy |
| DSP40/DS404 | 127645 | 10026797 | Output Side Gear - Before 2008 |
| DSP40/DS404 | 132443 | 10049643 | Output Side Gear - After 2008 - Non-Pump |
| DSP40P/ DS404P | 132061 | 10026796 | Output Side Gear - After 2008 – Pump |
| D170/D190 | 131345 | 10011380 | Helical Side Gear Assy |
| D170/D190 | 139965 | 10094015 | IAD Assy |
| D170/D190 | 131467 | 10026795 | Output Side Gear - Non-Pump |
| D170P/D190P | 131466 | 10005175 | Output Side Gear - Pump |
| D170DP/D190DP | 135015 | 10094013 | IAD Assy – (Severe Duty) |
| D155 | 134692 | 10019008 | Helical Side Gear Assy |
| D155 | 139965 | 10094015 | IAD Assy |
| D155P | 134770 | 10038686 | Output Side Gear - Pump |
| D155 | 134768 | 10038655 | Output Side Gear - Non-Pump |
| D156 | 134684 | 10093664 | Helical Side Gear & Bushing Assy |
| D156 | 134192 | 10085729 | IAD Assy |
| D156 | 132443 | 10049643 | Output Side Gear |
| D590 | 131346 | 10051032 | Helical Side Gear & Bushing Assy |
| D590 | 135015 | 10094013 | IAD Assy |
| D590 | 131466 | 10005175 | Output Side Gear |

Service Kits

| Spicer® Models | Old Gear Design Kit Part Number | New Gear Design Kit Part Number |
|--|---------------------------------|---------------------------------|
| DSP40/DS404 – Non Pump | 504404-5 | 504388 |
| DSP40P/DS404P - Pump | N/A | 504389 |
| DSP40/DS404 - (Before June 2008) | 504404-1 | 504394 |
| D170/D190 – Non Pump | N/A | 504395 |
| D170P - Pump | N/A | 504396 |
| D170DP/D190/D190D - (Severe Duty) | N/A | 504397 |
| D155 | N/A | 504511 |
| D155P | N/A | 504512 |

All kits ONLY contain a helical side gear & bushings, inter-axle differential and output side gear
The detailed contents of the kits are provided in the charts on the next page.

HD AXLE INFO



New Kit Chart - D404 Family

| Spicer PDU Conversion Parts Kit | | | | |
|---------------------------------|-----|---|---|-----------------------------------|
| Spicer Kit Part-No | | 504388 | 504389 | 504394 |
| Part Description | Qty | All DSP40/DS404 (After June 2008) NON-PUMP | All DSP40P/DS404P (After June 2008) PUMP MODEL | DSP40/DS404 (Before June 2008) |
| Inter-Axle Diff Assy | 1 | 10085729 | 10085729 | 10085729 |
| Helical Gear & Bushing Assy | 1 | 10000528 | 10000528 | 10000528 |
| Output Side Gear | 1 | 10049643 | 10026796 | 10026797 |

New Kit Chart - D170, 190 Family

| Spicer PDU Conversion Parts Kit | | | | |
|---------------------------------|-----|-------------------------------|----------------------------|---|
| Spicer Kit Part-No | | 504395 | 504396 | 504397 |
| Part Description | Qty | D170 D170D NON-PUMP | D170P PUMP MODEL | D170DP, D190, D190D (SEVERE DUTY) |
| Inter-Axle Diff Assy | 1 | 10094015 | 10094015 | 10094013 |
| Helical Gear & Bushing Assy | 1 | 10011380 | 10011380 | 10011380 |
| Output Side Gear | 1 | 10026795 | 10005175 | 10005175 |

New Kit Chart - D155 Family

| Spicer PDU Conversion Parts Kit | | | |
|---------------------------------|-----|-----------------------------|--------------------------------|
| Spicer Kit Part-No | | 504511 | 504512 |
| Part Description | Qty | All D155 NON-PUMP | All D155P PUMP MODEL |
| Inter-Axle Diff Assy | 1 | 10094015 | 10094015 |
| Helical Gear & Bushing Assy | 1 | 10019008 | 10019008 |
| Output Side Gear | 1 | 10038655 | 10038686 |

New Kit Chart - D590 Family

| Spicer PDU Conversion Parts Kit | | |
|---------------------------------|-----|----------|
| Spicer Kit Part-No | | 505052 |
| Part Description | Qty | |
| Helical Gear & Bushing Assy | 1 | 10051032 |
| IAD Assy | 1 | 10094013 |
| Output Side Gear | 1 | 10005175 |

HD AXLE INFO

SPICER®



If you need additional information, please contact your Dana Aftermarket representative.

A handwritten signature in black ink, appearing to read "Courtney Bourbina".

Courtney Bourbina

Product Planning Analyst
Spicer® Heavy Axle Products

HD AXLE INFO